

**Micro Speaker**

**Model: OSR28R-7.9T2.0W4A**



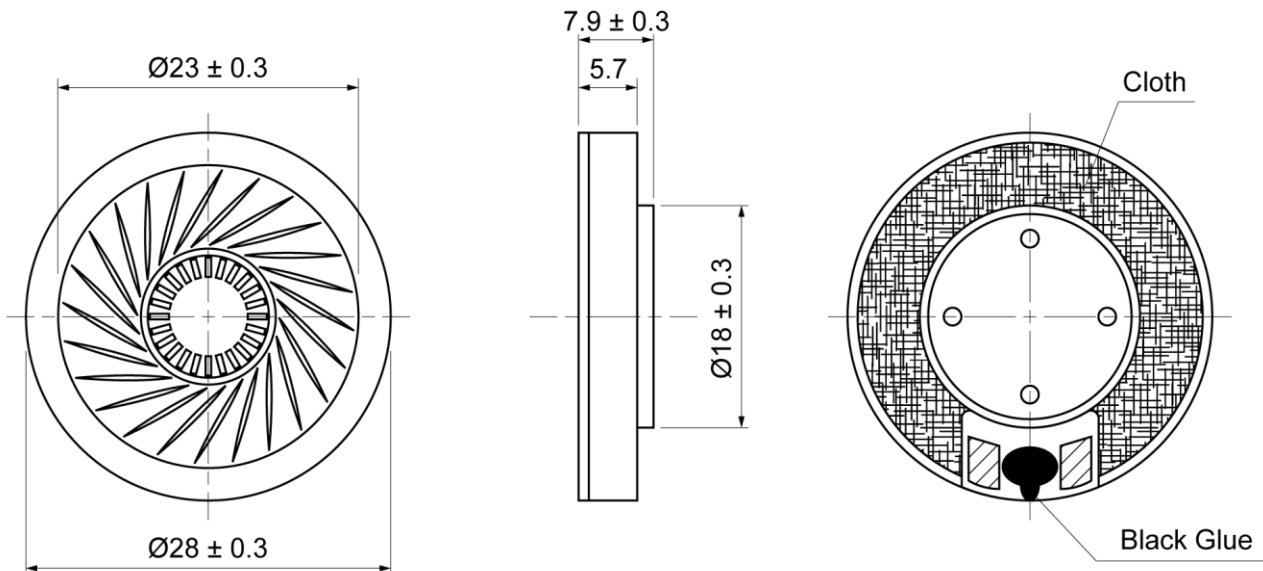
**ELECTRICAL SPECIFICATIONS**

	Condition	Parameter	Unit
Sound Pressure Level	at 2W, 10cm [at Fo ~ 6KHz]	103 ± 3	dB
Impedance	at 1V, 2KHz	4 ± 20%	Ω
Rated Input Power		2	W
Max Input Power		3	W
Resonant Frequency (Fo)	at 1V	570 ± 20%	Hz
Frequency Range		Fo ~ 20000	Hz
Buzzer & Rattles	not be audible at sine wave between Fo ~ 5KHz	2.83	V
Operating Temperature		-30 ~ 70	°C
Magnet		Nd-Fe-B	
Frame Material		Plastic	
Cone Material		Mylar	
Weight		10	g

**MECHANICAL DRAWING**

Dimensions in mm

Tolerance ±0.5mm Except Specified



**Micro Speaker**

**Model: OSR28R-7.9T2.0W4A**

**FREQUENCY RESPONSE CURVE**

---

